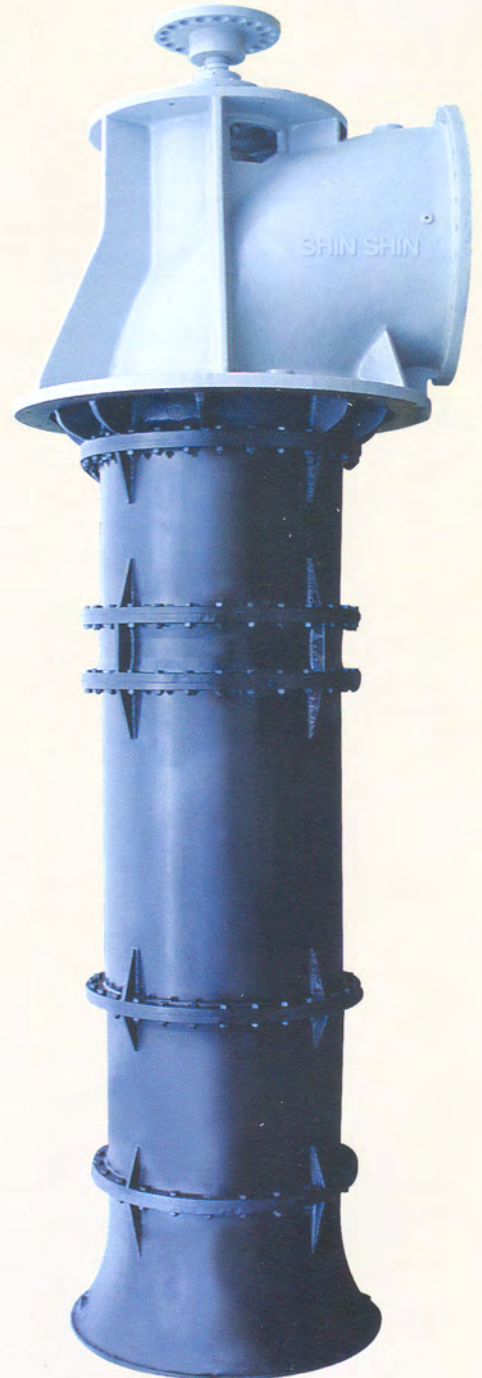


# SHINSHIN MIXED & AXIAL FLOW PUMPS



 SHIN SHIN  
MACHINERY CO., LTD.



Certificate NO. 942848



### Vertical Mixed Flow Pumps

#### 입축 사류 펌프

#### Applications

General industries/factory : For Water intake, Supply, Drainage  
 Thermal power plant : For Cooling water  
 Ironworks : For Circulation, Drainage, Scale pit  
 Sewage system : For Water influent, Effluent  
 Water works : For Water intake, Supply  
 Agriculture : For Water pumping, Water supply  
 Others : For Drainage of dock, Drainage of river

#### 적용 분야

일반산업, 각종공장 : 취수, 송수, 배수  
 화력 발전소 : 냉각수용  
 제철소 : 순환, 배수, 스케일 피트용  
 하수도 : 유입, 방류  
 상수도 : 취수, 송수  
 농업 : 양수, 배수  
 기타 : 도크 배수, 하천 배수

#### Design and Construction features

Installation : It has a various installation method to meet customer's requirement  
 Rotation : C.W when viewed from driver  
 Flange Rating : KS 10Kg/cm<sup>2</sup> FF  
 Installation place : Indoor and Outdoor  
 Sleeve bearing : Rubber (water lubrication), Bronze(grease lubrication)  
 Thrust bearing : Ball or Roller bearing(oil lubrication)  
 Impeller : Open or semi open type having blade of 3Dimension

#### 설계 및 구조적 특징

설치 방법 : 1상식 및 2상식  
 회전 방법 : 구동기에서 보았을때 우회전  
 토출 플랜지 : KS 10Kg/cm<sup>2</sup> FF  
 설치 장치 : 육내 및 육외  
 슬라이브 베어링 : 고무 베어링(물 윤활), 청동(그리스 윤활)  
 스라스트베어링 : 볼 및 롤러 베어링(오일 윤활)  
 임펠러 : 3차원 깃을 가진 OPEN 및 SEMI OPEN형

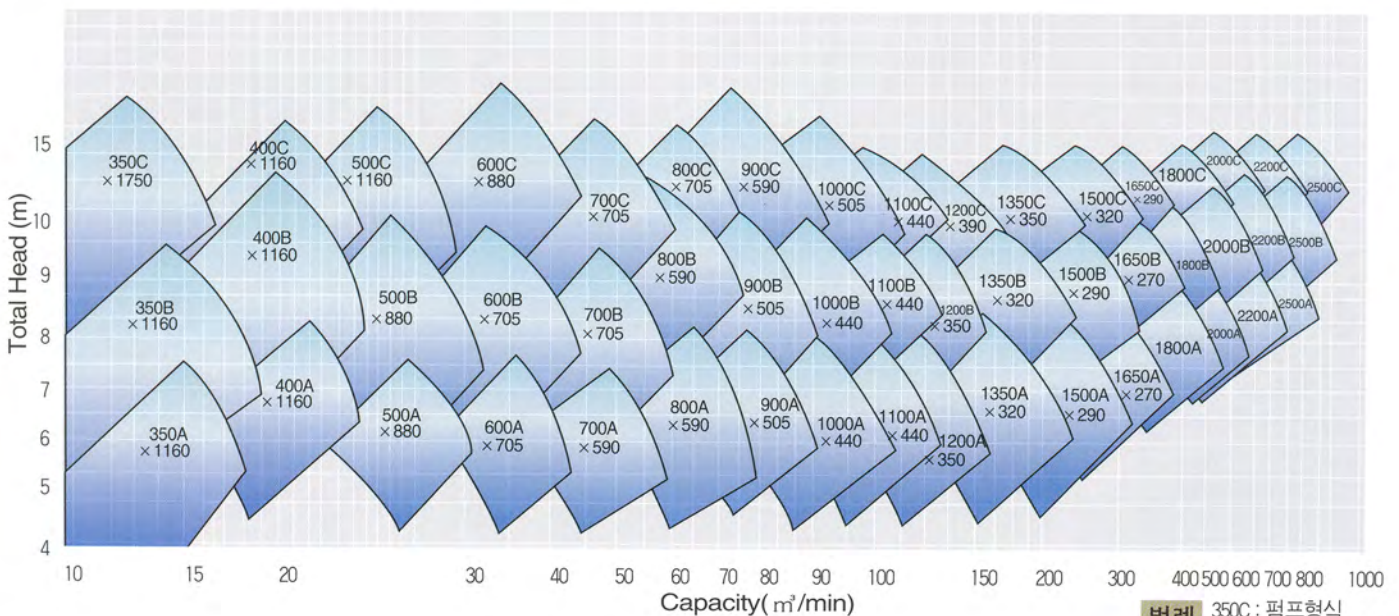
#### Operating Data

Total Head : 4~15m  
 Discharge flow : 10~1000 m<sup>3</sup>/min  
 Temp : 0~40°C  
 Bore : 350mm~2500mm  
 ※ The out of the above range can be supplied according to customer's order placement

#### 사양 범위

전압정 : 4~15m  
 토출량 : 10~1000m<sup>3</sup>/min  
 온도 : 0~40°C  
 구경 : 350mm~2500mm  
 ※상기 사양범위를 초과하는 대형 펌프도 제작합니다.

#### Performance selection chart (60Hz)



범례 350C : 펌프형식  
 1750 : 회전수(rpm)

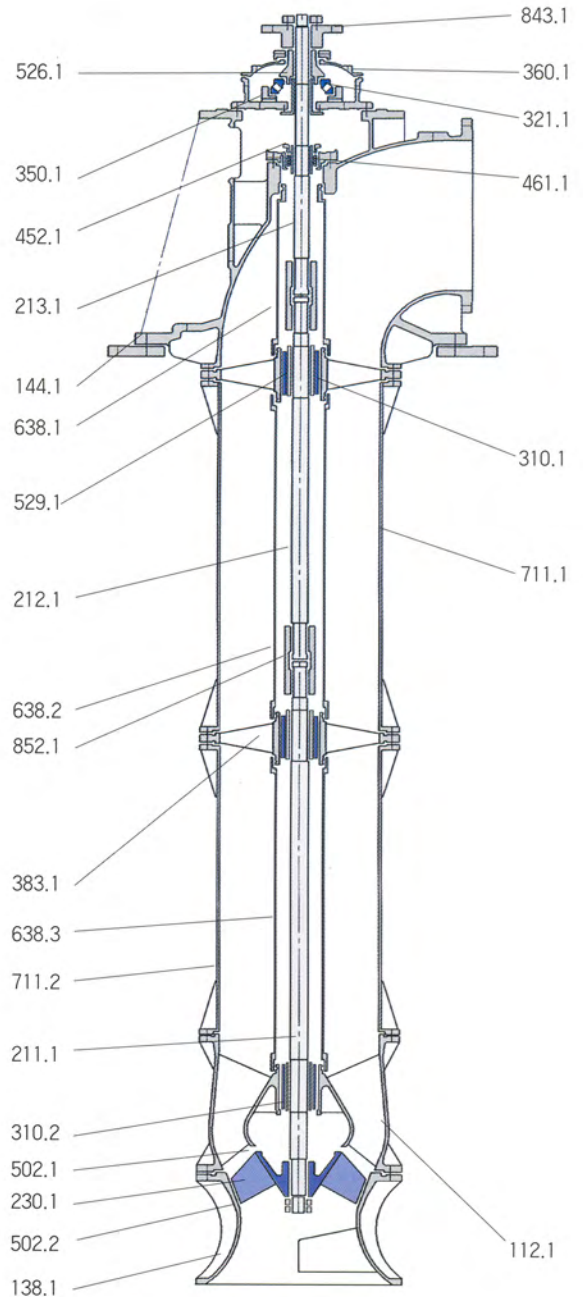
Sectional Drawing

조립단면도

PART NO.	PARTS NAME	REQ. NO	MATERIAL CODE		
			CLASS 1	CLASS 2	CLASS 3
112.1	GUIDE CASING 1	1			
138.1	SUCTION BELL	1	GC200		SSC 13
144.1	DISCHARGE ELBOW	1			
211.1	SHAFT(LOWER)	1			
212.1	SHAFT(MIDDLE)		SM 45C	STS 304	
213.1	SHAFT(UPPER)	1			
230.1	IMPELLER	1	BC6	SSC 13	SSC 13
310.1	SLEEVE BEARING	1	RUBBER + SSC13 or BC 6		
310.2	SLEEVE BEARING	1			
321.1	BALL BEARING	1 SET	STB 2		
350.1	BEARING HOUSING	1	GC 200		
360.1	BEARING COVER	1	GC 200		
383.1	BEARING SPIDER		SM 45C	SSC 13	
452.1	PACKING GLAND	1	SM 45C	SSC 13	
461.1	PACKING	1 SET	NON - METALLIC		
521.1	SHAFT SLEEVE	1	SSC 13		
526.1	BEARING SEAT	1	SM 45C	SSC 13	
529.1	BEARING SLEEVE		STS 304	STS 304	
638.1	SHAFT PRO. PIPE (UPPER)	1	STS 304 TP (OPTION)		
638.2	SHAFT PRO. PIPE(MIDDLE)	1			
638.3	SHAFT PRO. PIPE(LOWER)	1			
711.1	COLUMN PIPE(UPPER)	1	SPP	STS 304 TP	
711.2	COLUMN PIPE(LOWER)	1			
852.1	SCREWED COUPLING	1	STS 304		
843.1	COUPLING	1	GC 200		

CLASS 1 : 취수, 공업용수, 농업용수, 배수  
 CLASS 2 : 도시, 공장배수, 오수  
 CLASS 3 : 해수

\*SHAFT PROTEC.PIPE IS STANDARD FOR ONLY SEWAGE SYSTEM (INFLUENT & EFFLUENT)

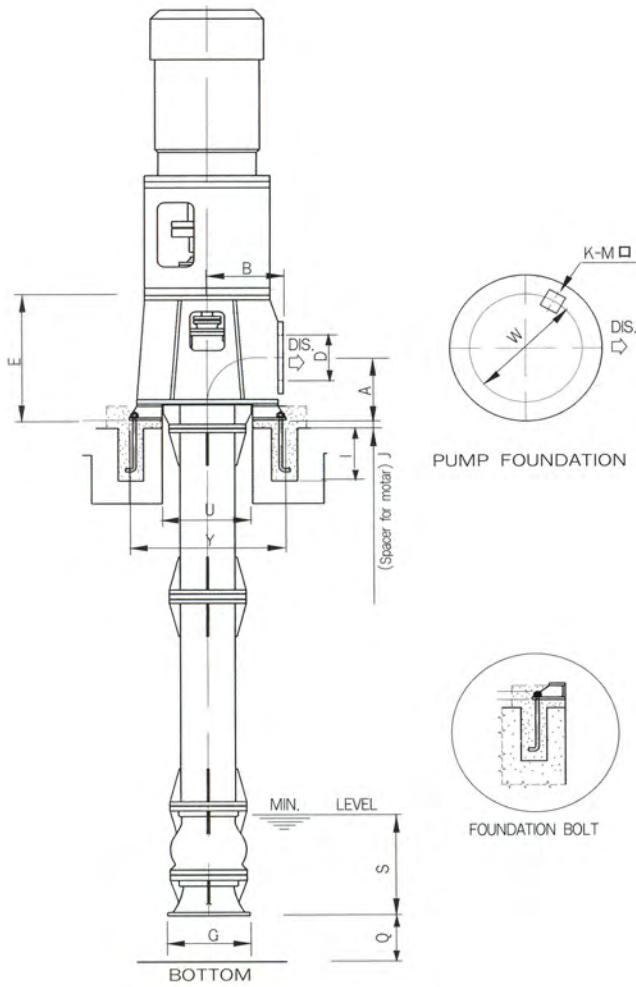


Type nomenclature 형식 표시 방법

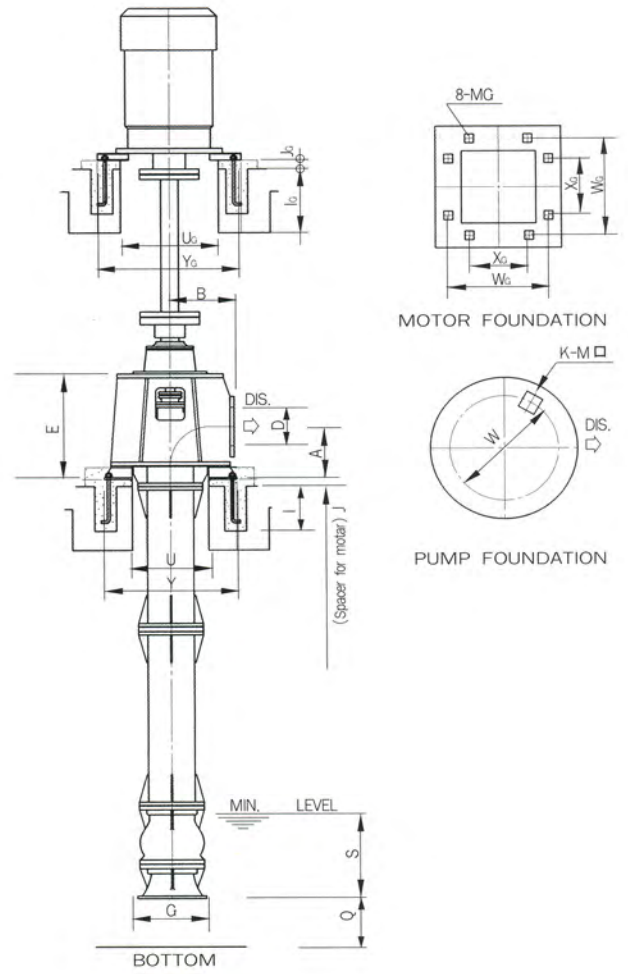
- Series (씨리즈) \_\_\_\_\_
- Size/Nominal dia. of suction nozzle (사이즈/흡입 구경) \_\_\_\_\_
- Head ratings (양정 등급): A,B,C..... \_\_\_\_\_

**SDF-V 500A**





1상식



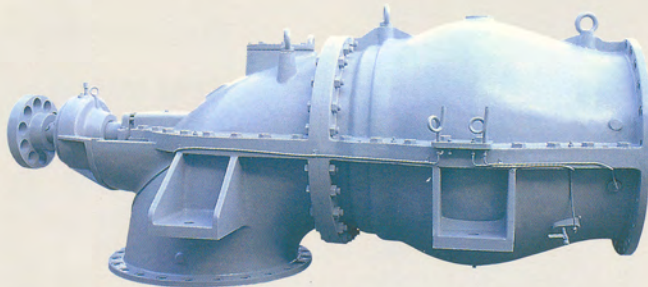
2상식

D	PUMP (mm)						PUMP BASE AND FOUNDATION (mm)						MOTOR FOUNDATION (mm)							
	A	B	E	G	Q(min)	S(min)	Y	U	W	K-M	I	J	UG	WG	XG	YG	MG	JG	IG	
350	450	550	800	550	400	800	1170	700	1100	4-190	500	30	1200	1500	800	1570	130	30	315	
400	500	600	850	600	450	900	1230	750	1150	4-190	630	30	1300	1600	850	1670	130	30	315	
450	530	650	900	680	500	1000	1380	850	1300	6-190	630	40	1400	1700	900	1770	130	40	315	
500	570	700	950	750	550	1100	1480	950	1400	6-190	630	40	1500	1800	950	1870	130	40	315	
600	620	700	1220	850	650	1250	1700	1100	1600	8-220	800	40	1700	2100	1000	2170	150	40	400	
700	730	850	1250	1000	750	1500	1800	1200	1700	8-220	800	50	1900	2300	1200	2370	150	50	400	
800	815	950	1425	1100	850	1650	1900	1300	1800	8-220	800	50	2000	2500	1400	2600	190	50	630	
900	880	1050	1450	1250	950	1850	2100	1500	2000	8-260	1000	50	2200	2700	1600	2800	190	50	630	
1000	930	1150	1550	1450	1100	2150	2350	1700	2250	8-260	1000	50	2400	2900	1800	3000	190	50	630	
1200	900	1150	1600	1650	1300	2650	2400	1800	2350	12-220	1000	50	2500	1800	600	3000	200	50	630	
1350	1130	1100	1895	1750	1450	3050	2500	2100	2350	16-220	1000	50	2600	2000	600	3100	200	50	900	
1500	1550	1350	2400	1800	1600	3650	2700	2100	2500	16-260	1000	50	2700	2100	700	3300	220	50	900	
1650	2350	1500	2600	2300	1650	4125	3500	2900	3400	16-260	1000	50	2900	2300	800	3500	260	50	900	
1800	2700	1700	2800	2500	1800	4500	3700	3100	3600	16-260	1000	50	3100	2500	900	3700	260	50	900	
2000	3000	1800	3000	2800	2000	5000	3950	3300	3850	16-260	1000	50	3300	2700	1000	3400	260	50	1200	
2200	3300	1900	3200	3100	2200	5500	4100	3500	4000	16-260	1000	50	3500	2900	1100	4100	260	50	1200	
2500	3700	2100	3400	3500	2500	6250	4200	3700	4200	16-260	1000	50	3700	3100	1200	4300	260	50	1200	

◆ 치수는 참고용임.



“  
 인터넷 <http://www.sspump.com>에 들어오시면  
 신신기계에 관한 모든것을 경험할 수 있습니다.  
 ”



**SHIN SHIN  
 MACHINERY CO., LTD.**

**Head Office & Factory**

940-13 Yerimri, Chongwan, Gijang, Pusan, Korea.

Phone : (051)727-5300~4

Telefax : (051)727-5305~7

**Seoul Office**

Phone : (02)752-8419/8403, 778-8832

Telefax : (02)755-3156

Home Page : <http://www.sspump.com>

E-mail : [postmaster@www.sspump.com](mailto:postmaster@www.sspump.com)